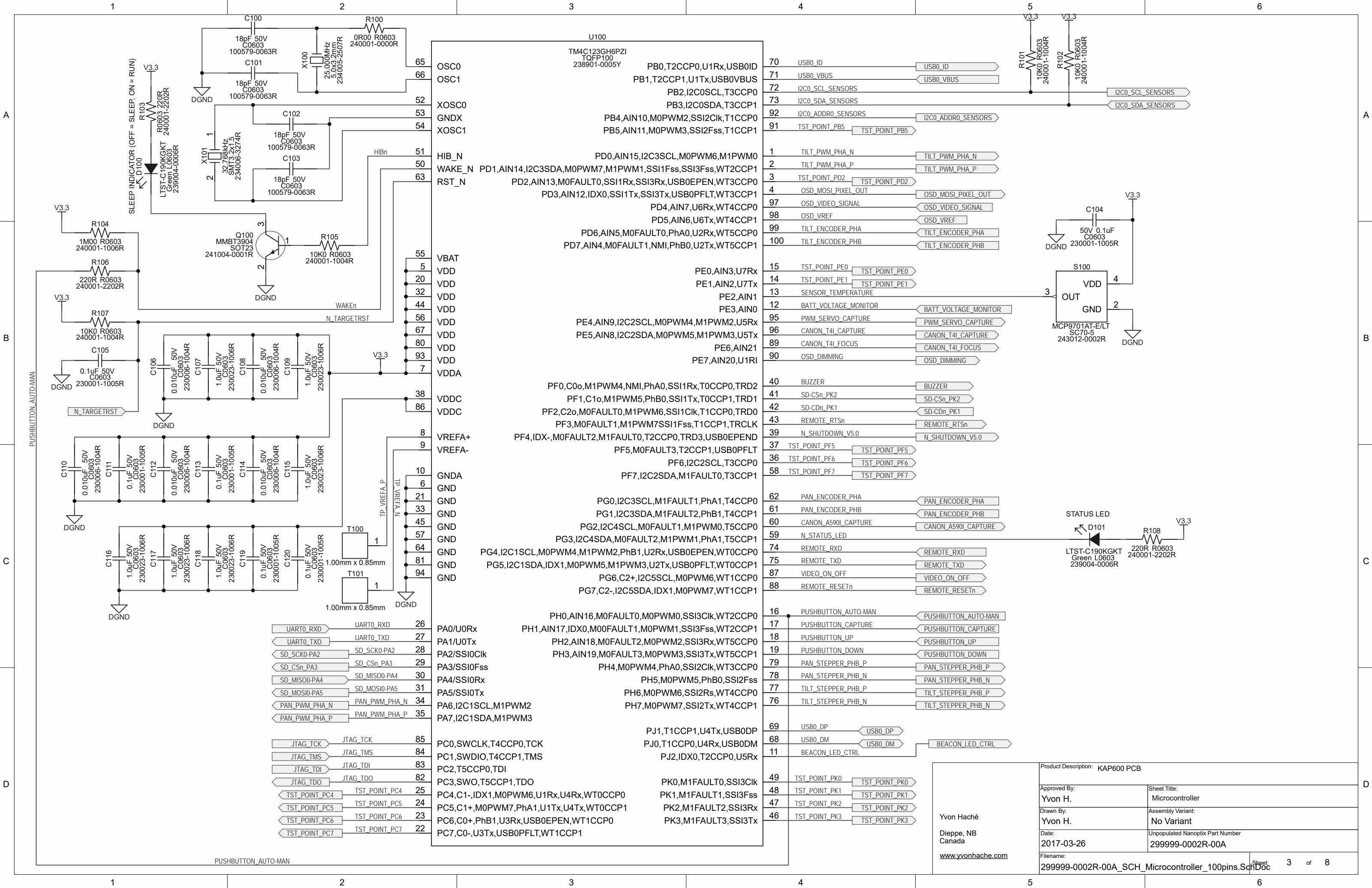
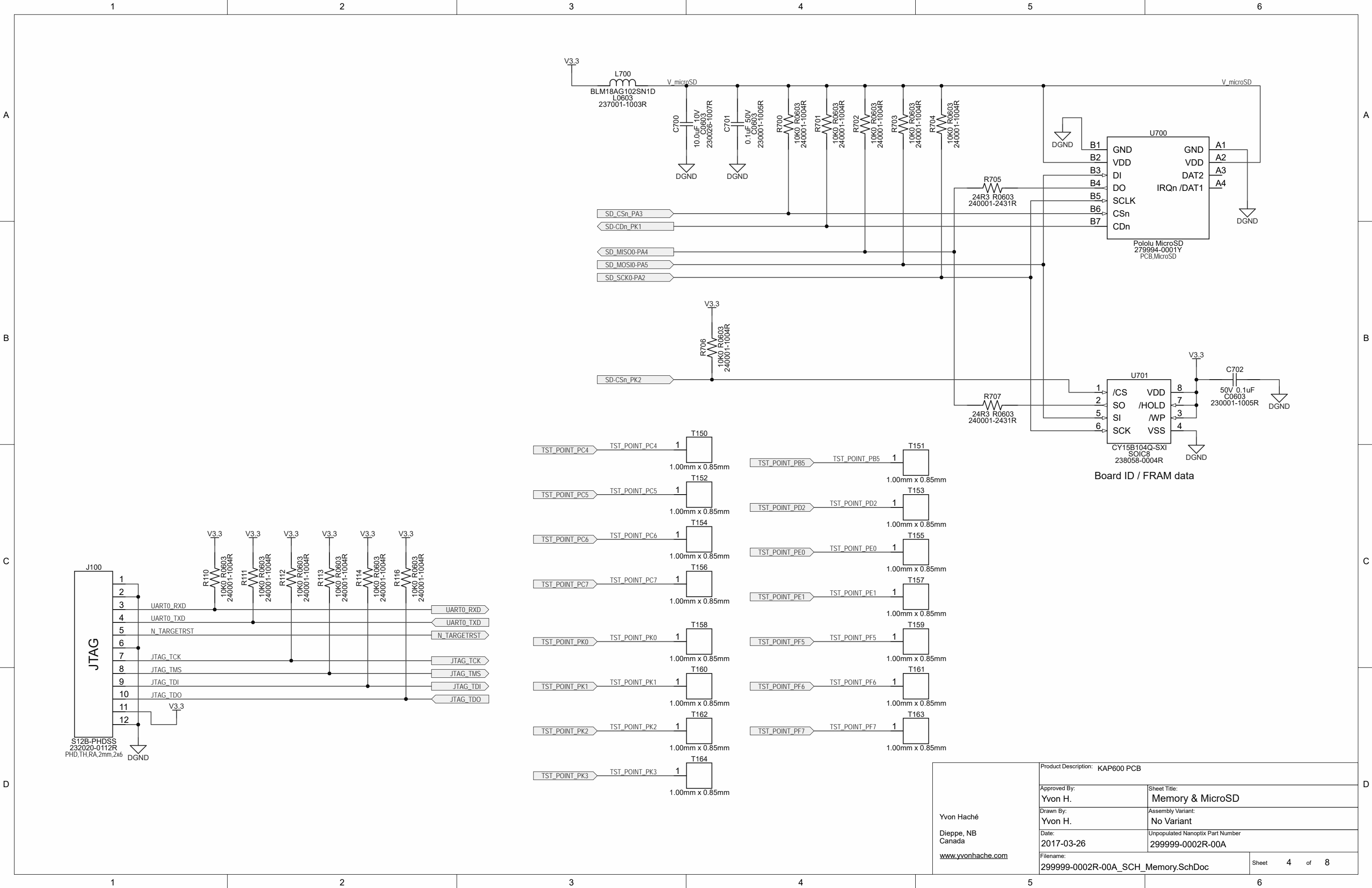


Yvon Haché Dieppe, NB Canada www.yvonhache.com	Product Description: KAP600 PCB	
	Approved By: Yvon H.	Sheet Title: Design Top View
	Drawn By: Yvon H.	Assembly Variant: 209999-0001Y-00A
	Date: 2017-03-26	Unpopulated Nanoptix Part Number 299999-0002R-00A
	Filename: 299999-0002R-00A_SCH_TopView_B.SchDoc	Sheet 1 of 8



Product Description: KAP600 PCB	
Approved By: Yvon H.	Sheet Title: Microcontroller
Drawn By: Yvon H.	Assembly Variant: No Variant
Date: 2017-03-26	Unpopulated Nanoplix Part Number 299999-0002R-00A
Filename: 299999-0002R-00A_SCH_Microcontroller_100pins.SchDoc	

Yvon Haché
Dieppe, NB
Canada
www.yvonhache.com



Board ID / FRAM data

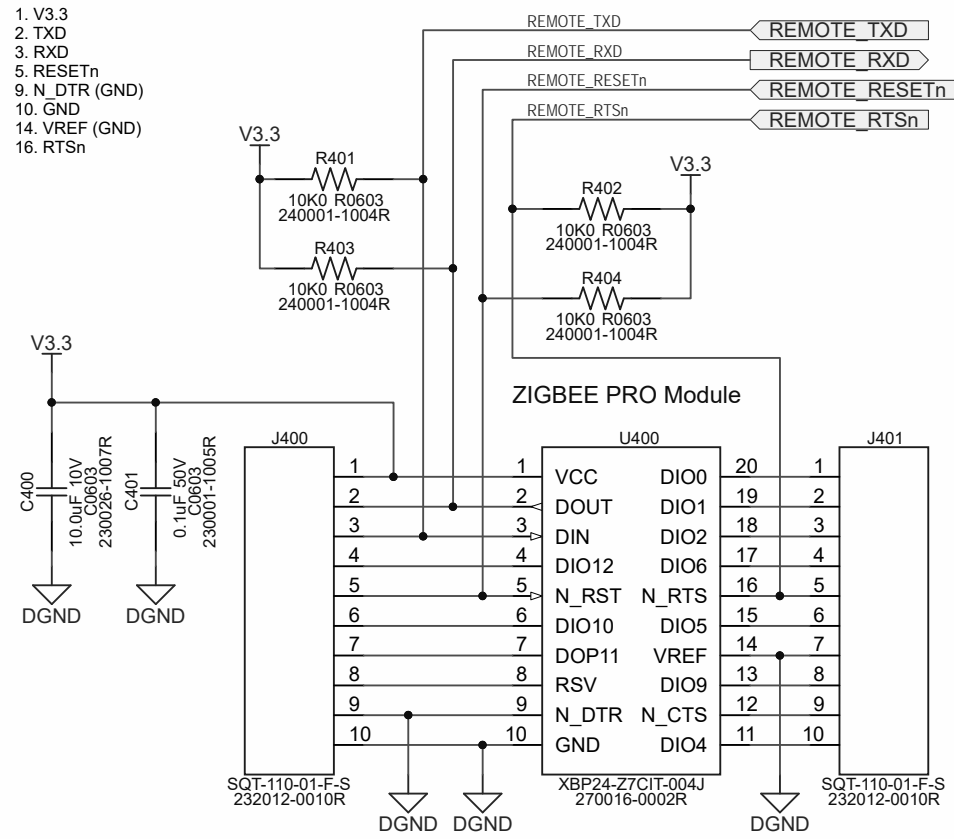
Product Description: KAP600 PCB	
Approved By: Yvon H.	Sheet Title: Memory & MicroSD
Drawn By: Yvon H.	Assembly Variant: No Variant
Date: 2017-03-26	Unpopulated Nanoplix Part Number 299999-0002R-00A
Filename: 299999-0002R-00A_SCH_Memory.SchDoc	
Sheet 4 of 8	

Yvon Haché
Dieppe, NB
Canada
www.yvonhache.com

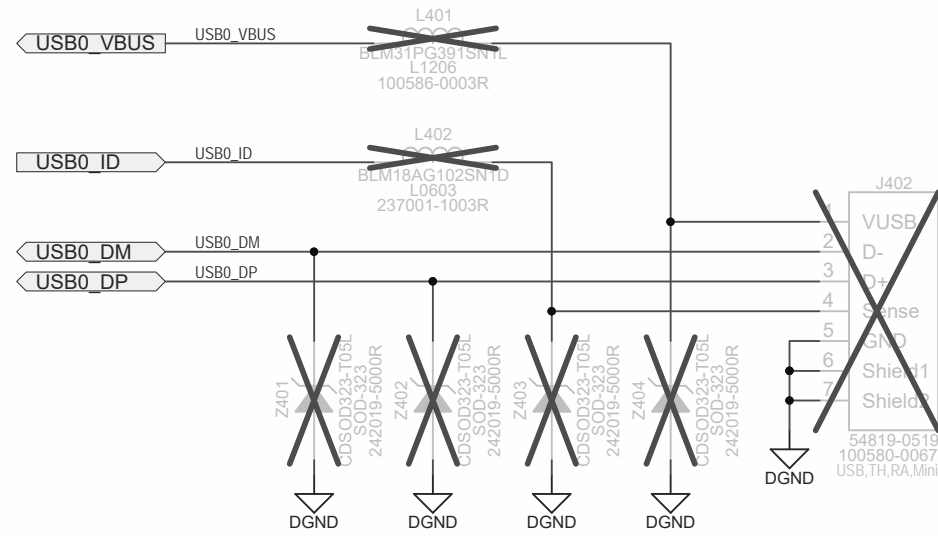
Zigbee Pro Module Connections:

- 1. V3.3
- 2. TXD
- 3. RXD
- 5. RESETn
- 9. N_DTR (GND)
- 10. GND
- 14. VREF (GND)
- 16. RTSn

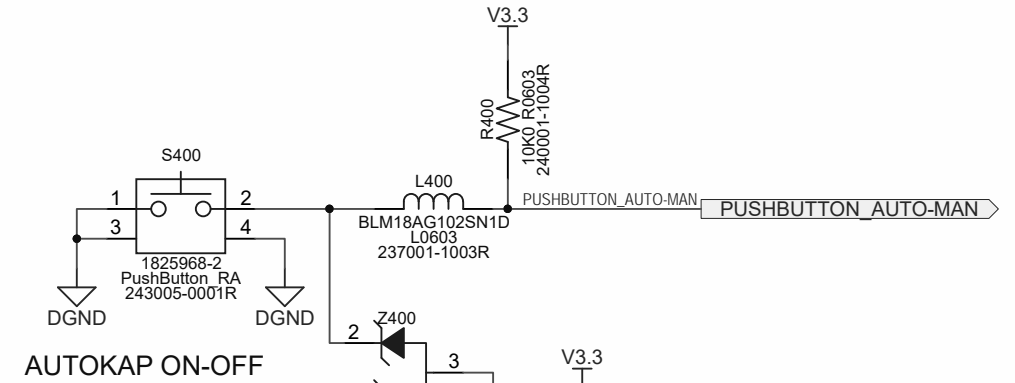
REMOTE CONTROL INTERFACE



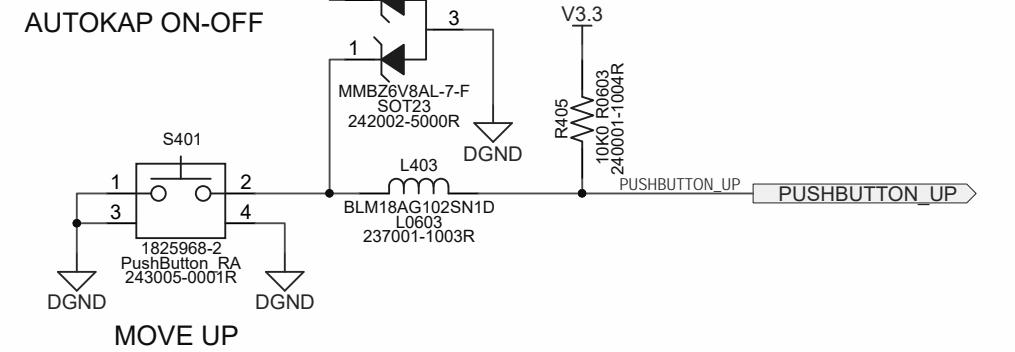
USB INTERFACE



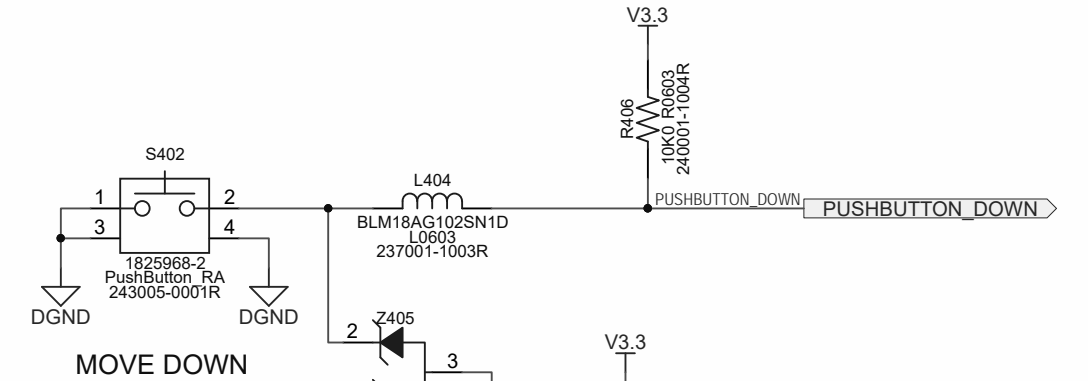
AUTOKAP ON-OFF



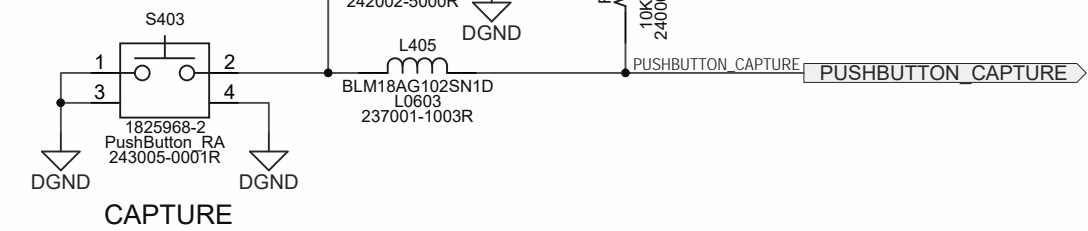
MOVE UP



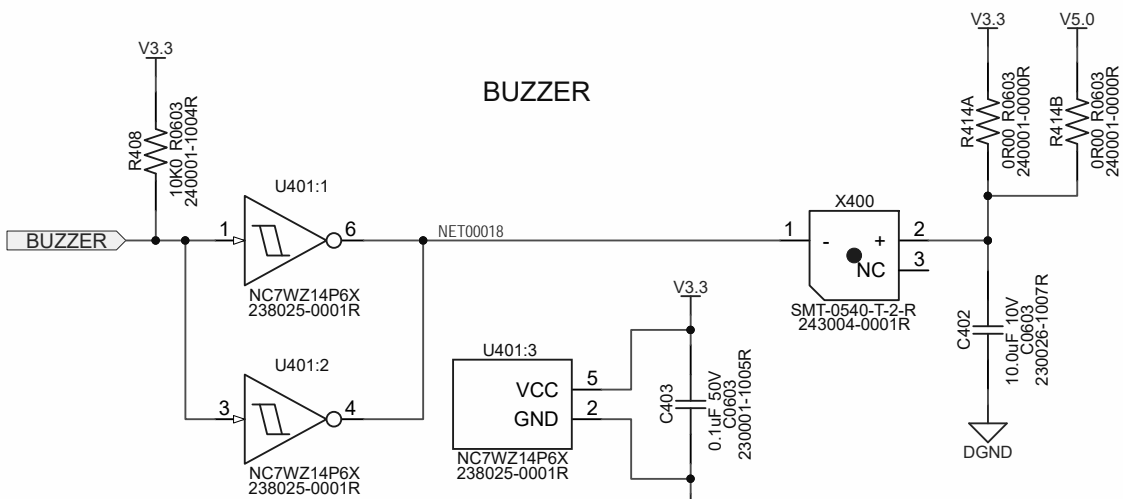
MOVE DOWN



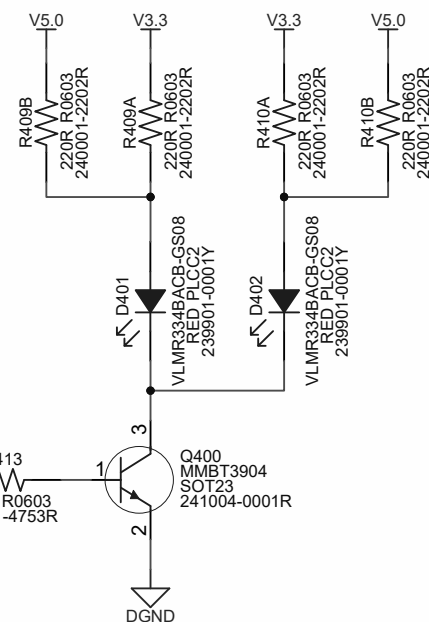
CAPTURE



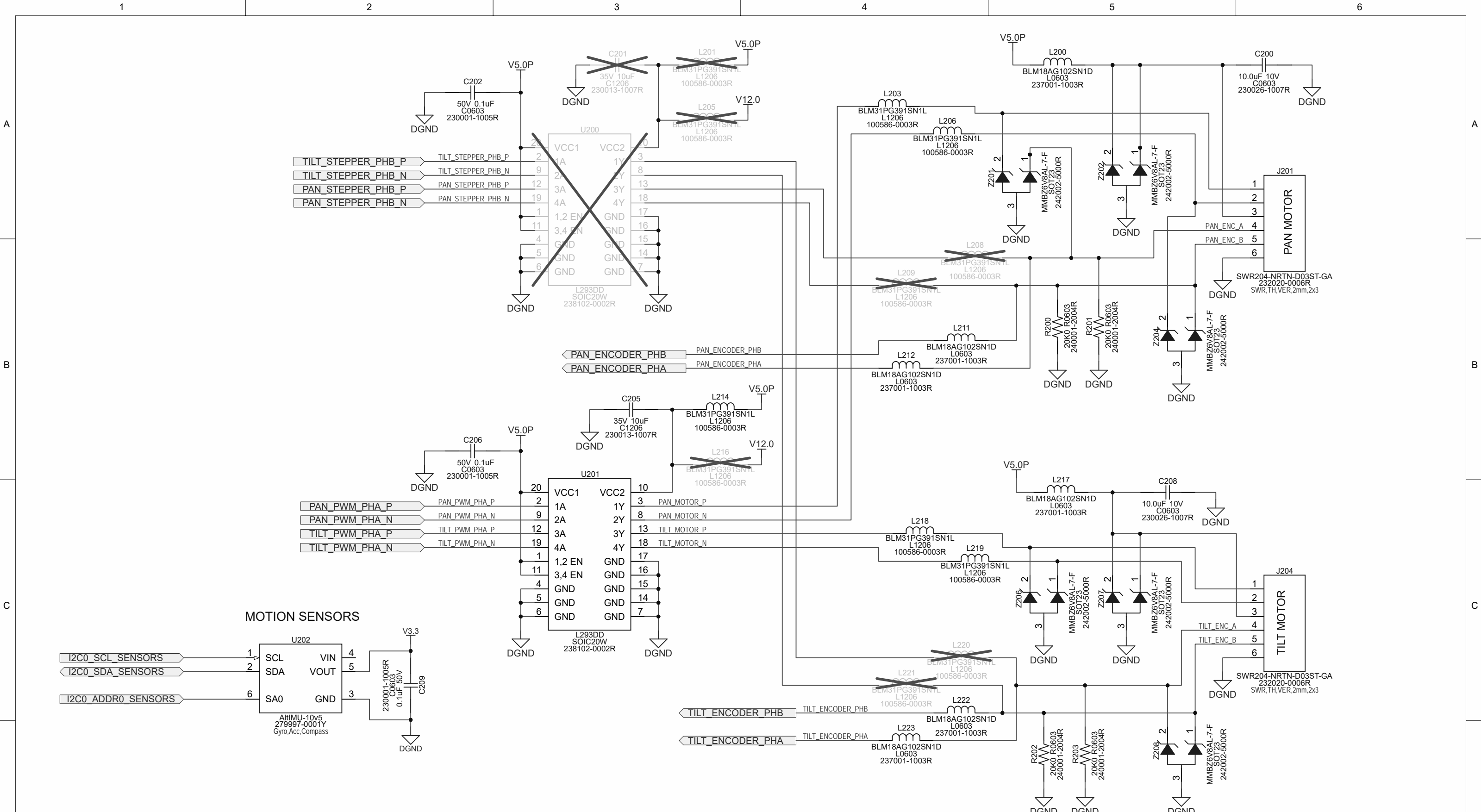
BUZZER



BEACON LEDS

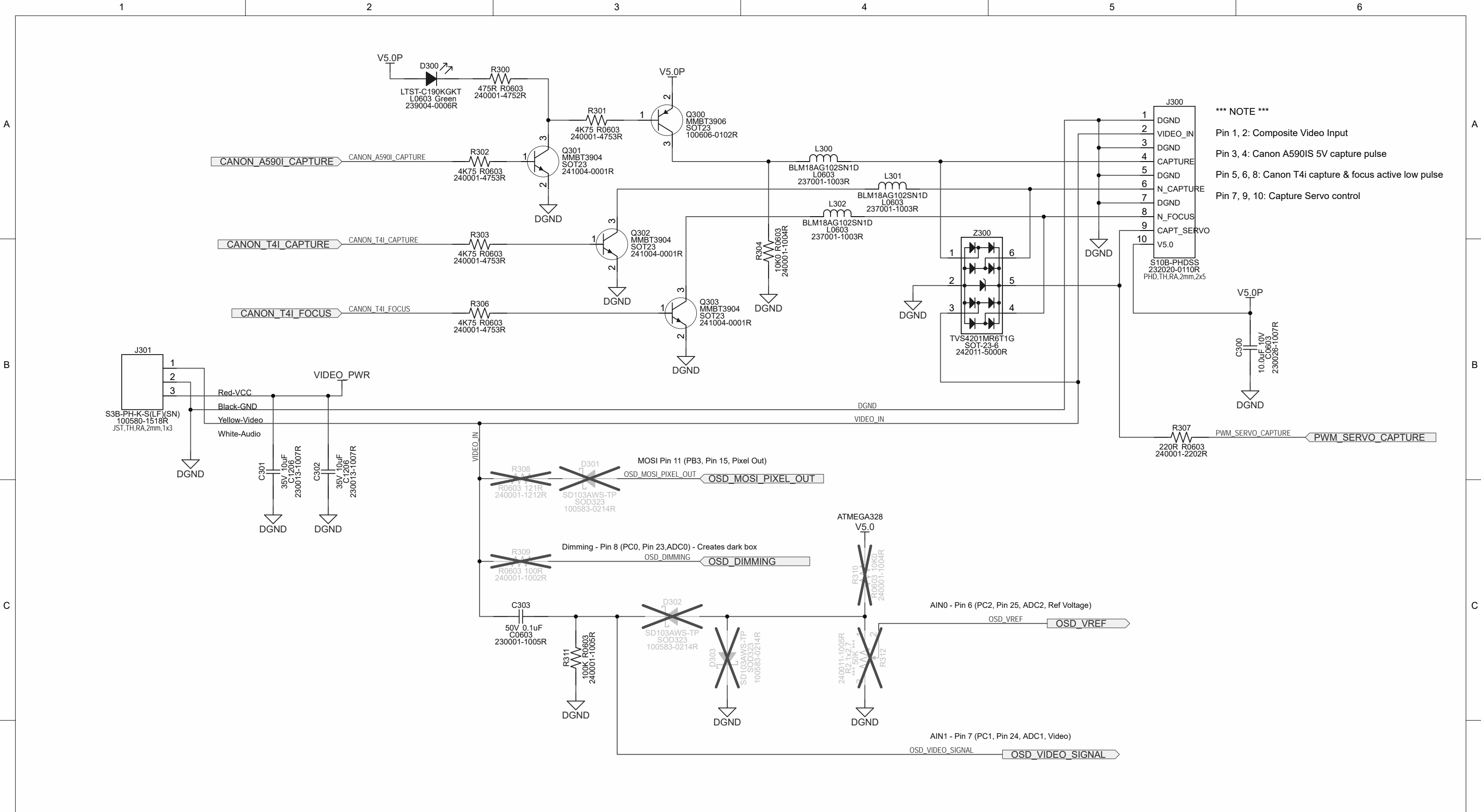


Yvon Haché Dieppe, NB Canada www.yvonhache.com	Product Description: KAP600 PCB	
	Approved By: Yvon H.	Sheet Title:
	Drawn By: Yvon H.	Assembly Variant: No Variant
	Date: 2017-03-26	Unpopulated Nanoptix Part Number 299999-0002R-00A
	Filename: 299999-0002R-00A_SCH_XBee_Pushbuttons.SchDoc	Sheet 5 of 8



Product Description: KAP600 PCB	
Approved By: Yvon H.	Sheet Title: KAP600 Motors Interface
Drawn By: Yvon H.	Assembly Variant: 209999-0001Y-00A
Date: 2017-03-26	Unpopulated Nanoptix Part Number 299999-0002R-00A
Filename: 299999-0002R-00A_SCH_Motors.SchDoc	
Sheet 6 of 8	

Yvon Haché
Dieppe, NB
Canada
www.yvonhache.com

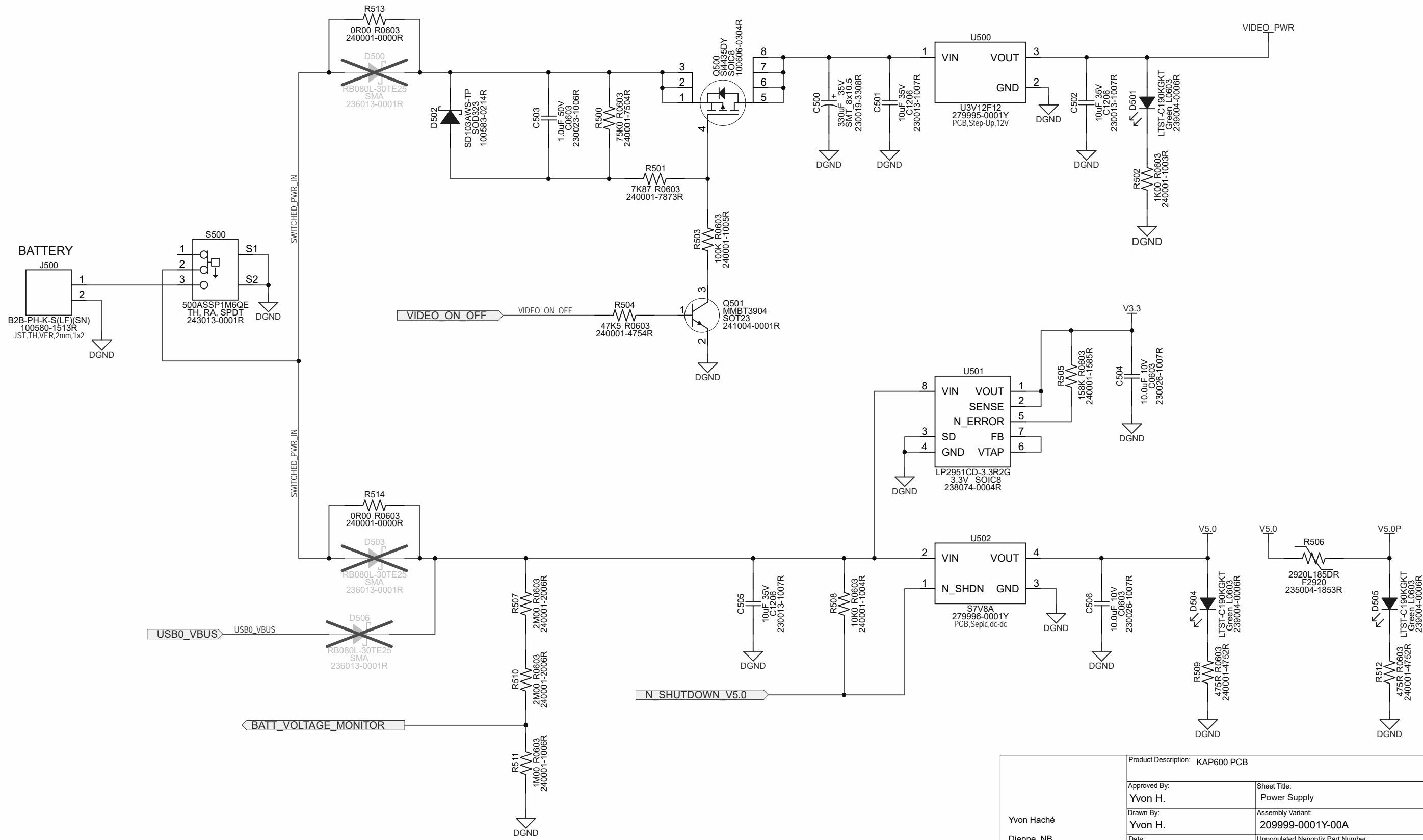


*** NOTE ***
 Pin 1, 2: Composite Video Input
 Pin 3, 4: Canon A590IS 5V capture pulse
 Pin 5, 6, 8: Canon T4i capture & focus active low pulse
 Pin 7, 9, 10: Capture Servo control

[https://www.rcgroups.com/forums/showthread.php?1473207-Diy-osd-\(Arduino-and-opensource\)](https://www.rcgroups.com/forums/showthread.php?1473207-Diy-osd-(Arduino-and-opensource))

Product Description: KAP600 PCB	
Approved By: Yvon H.	Sheet Title:
Drawn By: Yvon H.	Assembly Variant: No Variant
Date: 2017-03-26	Unpopulated Nanoptix Part Number 299999-0002R-00A
Filename: 299999-0002R-00A_SCH_CameraCtrl_VideoIn.SchDoc	

Yvon Haché
 Dieppe, NB
 Canada
www.yvonhache.com



Product Description: KAP600 PCB	
Approved By: Yvon H.	Sheet Title: Power Supply
Drawn By: Yvon H.	Assembly Variant: 209999-0001Y-00A
Date: 2017-03-26	Unpopulated Nanoptix Part Number 299999-0002R-00A
Filename: 299999-0002R-00A_SCH_Power_B.SchDoc	
Sheet 8 of 8	