

# SPST Momentary Key Switches



### Features/Benefits

- Easy X, Y coding on single side PCB
- Positive tactile feedback
- High temperature type available
- Wide variety of colors & styles
- RoHS compliant and compatible

### Typical Applications

- Automotive
- Video
- Electronic games
- Appliances

### Construction

FUNCTION: momentary  
 CONTACT ARRANGEMENT: 1 make contact (SPST), NO  
 DISTANCE BETWEEN BUTTON CENTERS, MIN.: 12,7 (0.500)  
 TERMINALS: PC pins

### Electrical

SWITCHING POWER MAX.: 6 VA  
 SWITCHING VOLTAGE MAX.: 32 V DC  
 SWITCHING CURRENT MAX.: 100 mA DC  
 DIELECTRIC STRENGTH (50 Hz / 1 min): 1000 V  
 OPERATING LIFE with max. switching power:  $\geq 2.5 \times 10^5$  operations  
 CONTACT RESISTANCE:  $\leq 100 \text{ m}\Omega$   
 INSULATION RESISTANCE:  $\geq 10^{11} \Omega$   
 BOUNCE TIME:  $\leq 3 \text{ ms}$

### Mechanical

SWITCHING TRAVEL:  $0,8 \pm 0,2$  (0.0301  $\pm$  0.0078)  
 OPERATING FORCE:  $1.3 \text{ N} \pm 30\%$  (130 grams  $\pm$  30%)

### Environmental

OPERATING TEMPERATURE: -20°C to 85°C.

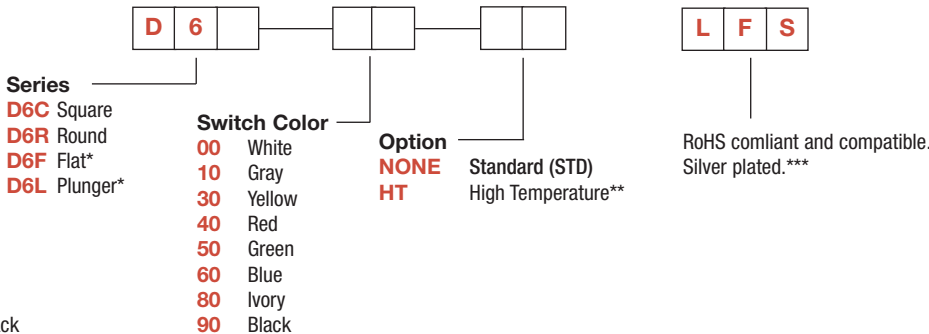
### Process

SOLDERABILITY:  
 Hand soldering: 350°C for 3 seconds  
 Wave or bath soldering: 225°C for 5 seconds  
 High Temperature version: 260°C for 5 seconds\*\*  
 Cleaning: Use solvents compatible with ABS

### How To Order

Our easy build-a-switch concept allows you to mix and match options to create the switch you need. To order, select desired option from each category and place it in the appropriate box.

### Switch

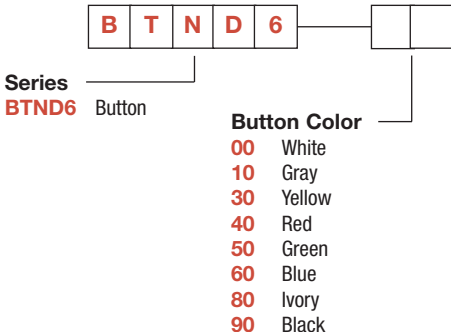


\*Available in black only.  
 \*\* Only available in red, blue and black  
 \*\*\* Only available on the HT versions

### Button

Buttons can be ordered separately.  
 Shipped in bulk.

D6 button for use with D6C only.



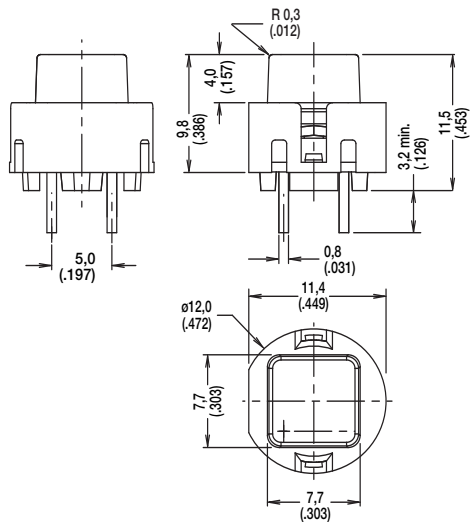
Dimensions are shown: mm (inch)  
 Specifications and dimensions subject to change



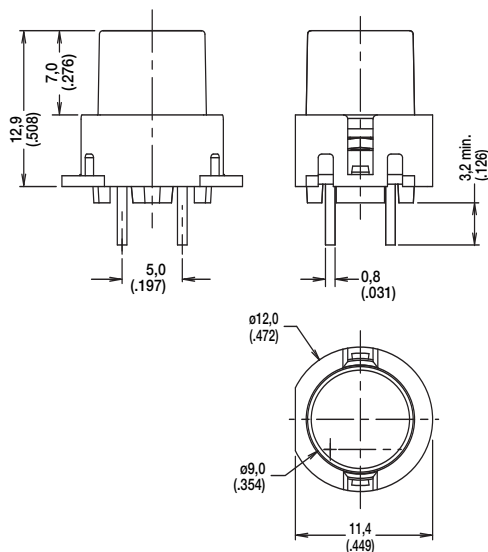
# D6 SPST Momentary Key Switches

SERIES 

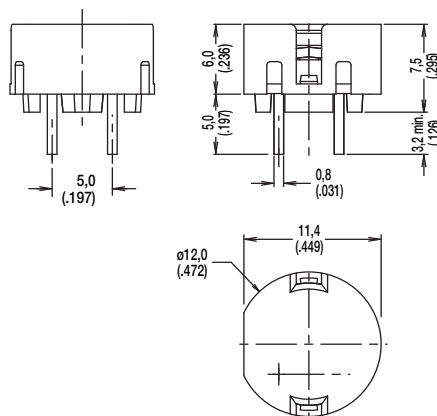
## D6C



## D6R



## D6F ONLY AVAILABLE IN BLACK



Key Switches



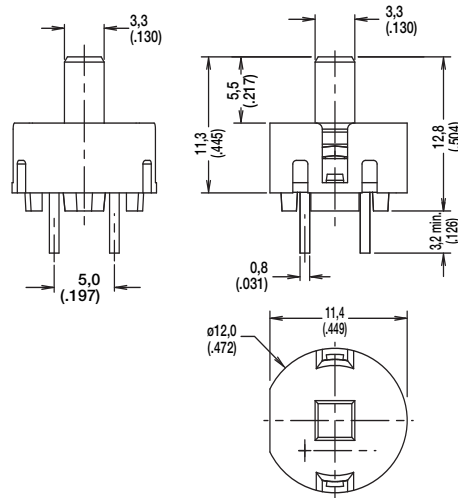
Dimensions are shown: mm (inch)  
Specifications and dimensions subject to change

[www.ittcannon.com](http://www.ittcannon.com)

# SPST Momentary Key Switches

## SERIES

**D6L** ONLY AVAILABLE IN BLACK



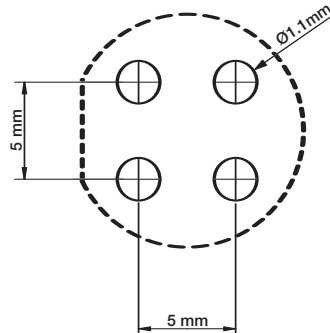
## SWITCH COLORS

OPTION CODE	SWITCH COLOR
00	WHITE
10	GRAY
30	YELLOW
40	RED
50	GREEN
60	BLUE
80	IVORY
90	BLACK

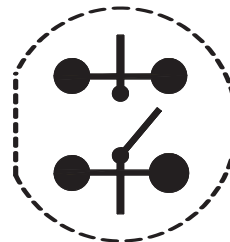
## OPTION


**NONE** STANDARD  
**HT** HIGH TEMPERATURE

## PCB Layout



## Electrical Diagram



 First Angle Projection  
 Dimensions are shown: mm (inch)  
 Specifications and dimensions subject to change

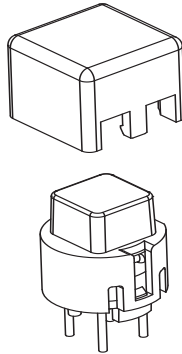
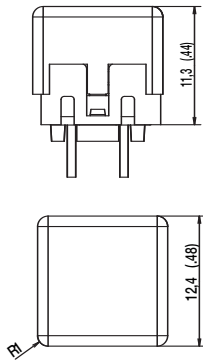
Key Switches

# D6 SPST Momentary Key Switches

## BUTTON AVAILABLE

**BTND6** Buttons must be ordered separately. Shipped in bulk.

**NOTE:** Only compatible with D6C.



OPTION CODE	BUTTON COLOR
00	WHITE
10	GRAY
30	YELLOW
40	RED
50	GREEN
60	BLUE
80	IVORY
90	BLACK



Key Switches